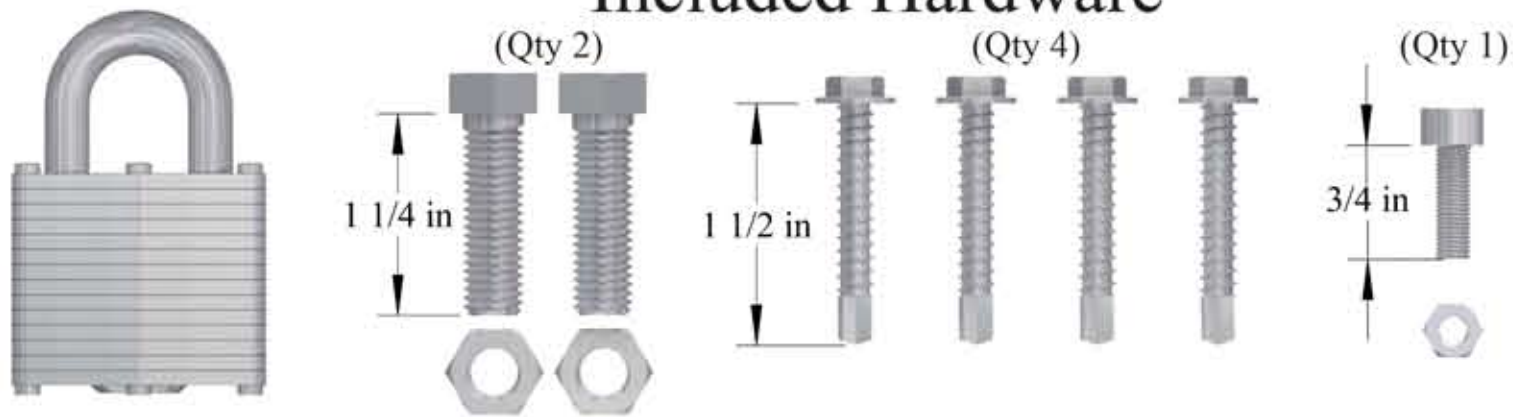


Xtreme Series Blower Rack Instructions

Included Hardware



Replacing the Padlock

Note: Rack must be unlocked to perform

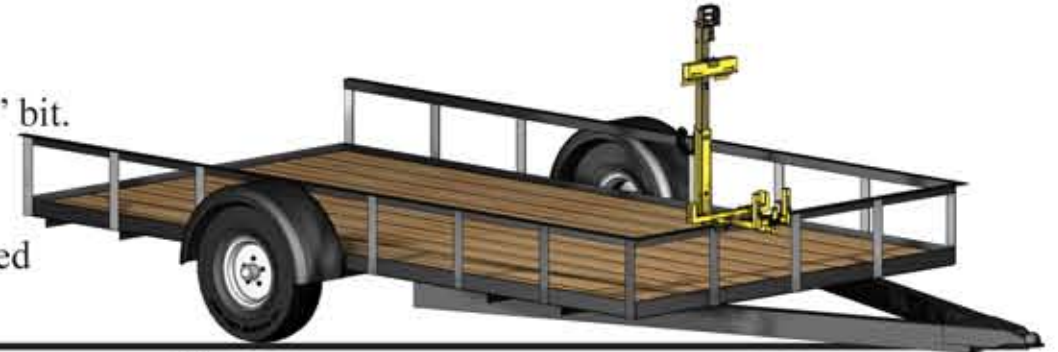


This rack is designed to use a typical Master Lock® #3 padlock which can be purchased in most hardware stores.

Note: Remove plastic band from the lock before replacing.

Open Trailer Mounting Instructions

1. Choose a mounting location on the rail of your trailer, that is directly over an upright support.
2. Using the base plate of the rack as a template mark the location of the holes and drill with a 27/64" bit.
3. Bolt the rack in place.



Note: If you choose to mount your blower rack on the side of your trailer make sure you do not exceed the maximum legal width of 102 inches.

Enclosed Trailers Mounting Instructions

1. Disassembly of the rack is required to mount into an Enclosed Trailer.
2. Remove stop pin as shown in Figure 1.
3. Choose a mounting location on the wall of your trailer, it should be directly over a rib support.
4. Install the three self drilling/tapping mounting screws through the rack and into the steel rib support (See Figure 2).
5. Reassemble Rack and mount blower tube holder to wall.

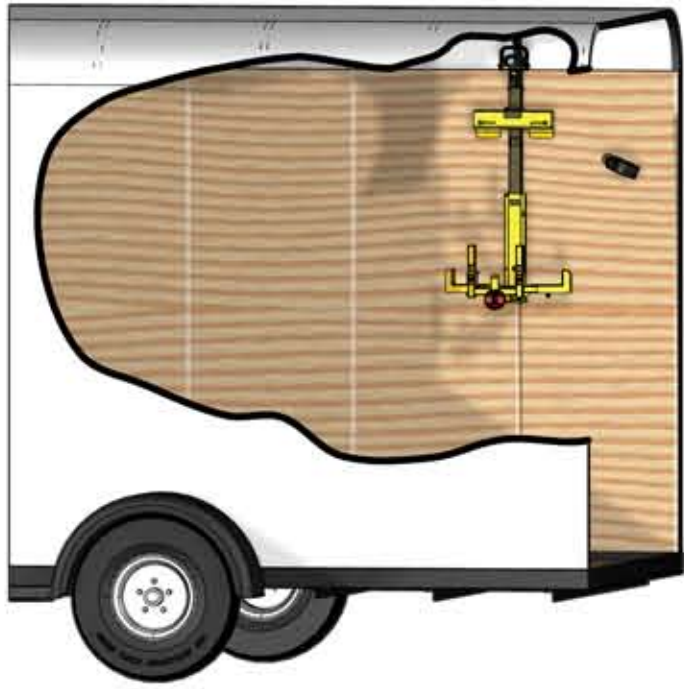
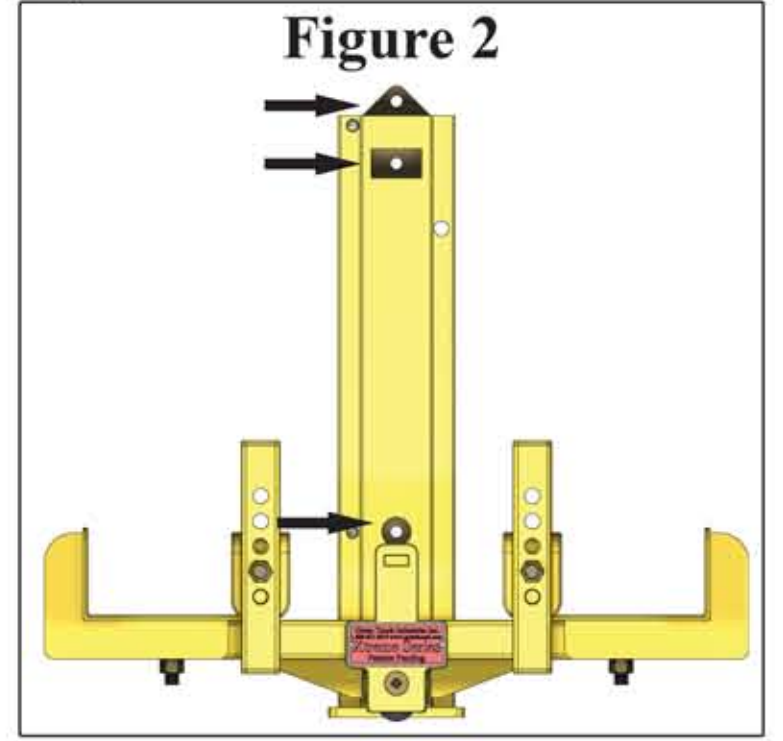


Figure 1



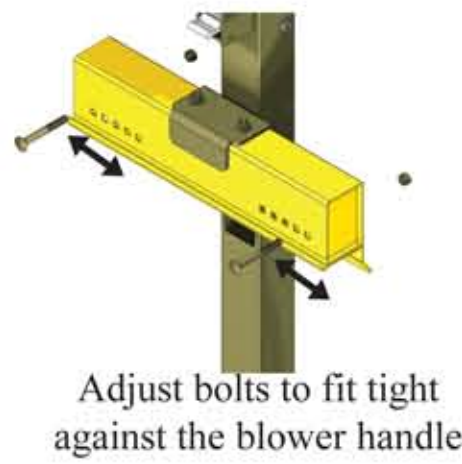
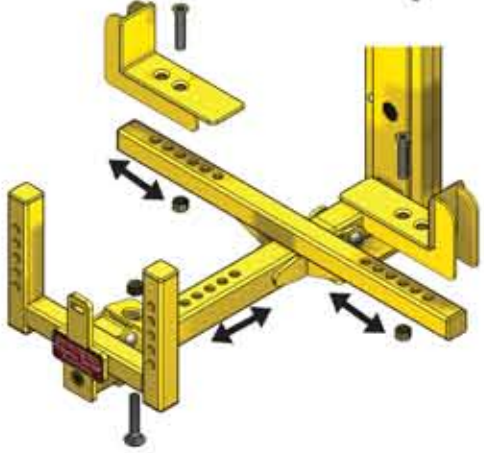
Figure 2



Adjusting the Rack to fit your Blower

There are several adjustment points on the rack to ensure that it will fit your blower securely. The below images illustrate all of the adjustment points. The rack must be adjusted to fit your blower tightly, after you have made all adjustments lock your blower into the rack and test to make sure it is secure against theft.

Place side arms and front arm as close to blower frame as possible.



Adjust bolts to fit tight against the blower handle

Shown with Clips Removed



Shown with Double Clips



The highlighted pieces can be used to "clip down" the blower frame. Many blower frames have no need for them in which case they can be removed all together.

Shown with Handle Cap



Some blower frames do not allow the use of the handle cap. It can be removed and used as shown to the right.

Shown without Handle Cap



Shown with Single Clip



Shown with Wide Clip



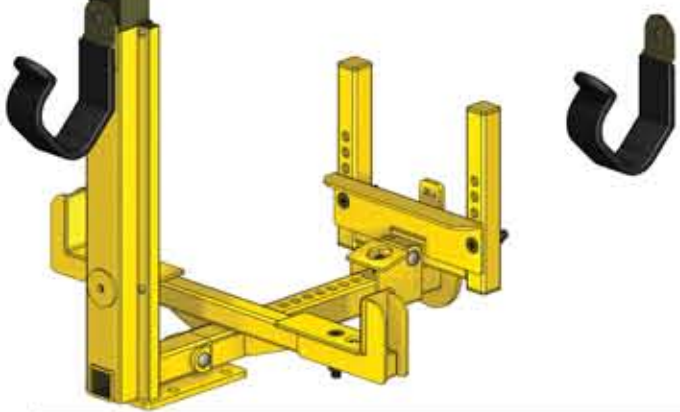
Mounting the Blower Tube Holder

Open Trailers:

1. Mount Tube Holder to top most mounting hole as shown.

Enclosed Trailers:

1. Place Blower in the rack to determine where your blower tube will rest
2. Attach Blower tube holder to the wall of your trailer



Operating the Rack

- 1) Unlock the padlock.
- 2) Pull the Bail located at the top of the rack and lift the sliding locking mechanism.
- 3) With the locking mechanism in the up position release the bail and it will stay up.
- 4) Remove Blower
- 5) Reverse steps to lock the rack

Bail



FOLDED POSITION
Folds for easy transport when not in use

